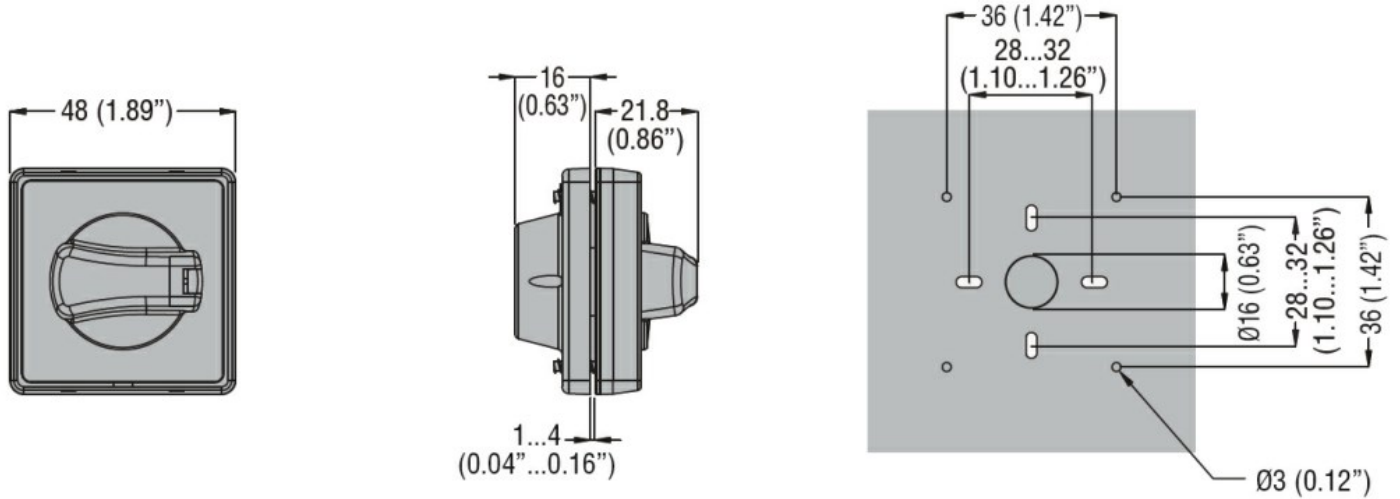




Dimensions



Certifications and compliance

Compliance

CSA C22.2

IEC/EN 60947-1

IEC/EN 60947-3

UL508

UL98

Certifications

CCC

cULus

EAC

ETIM classification

ETIM 8.0

EC000230 -
 Door coupling
 handle for
 switchgear